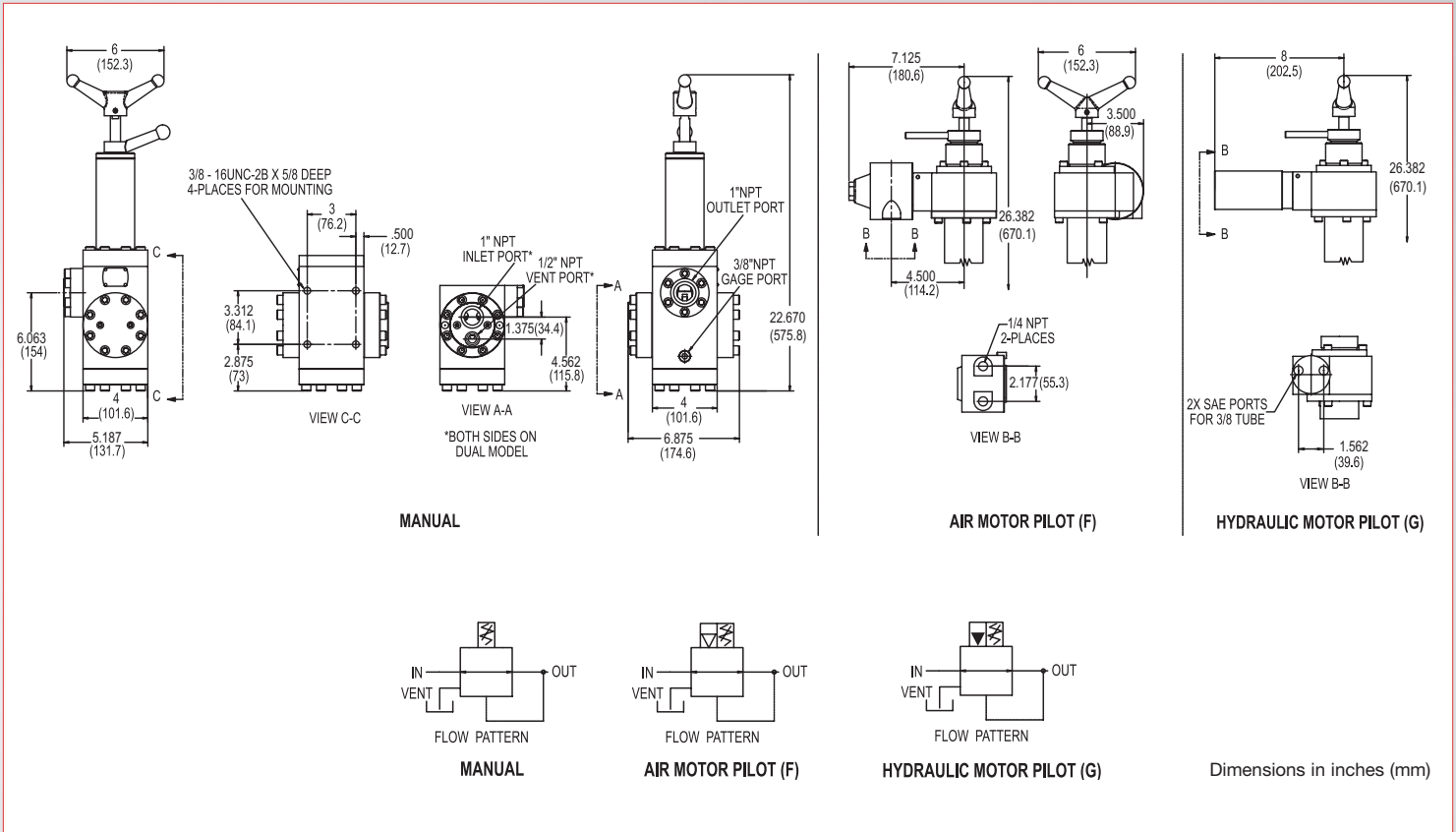


# 1" Increased Sensitivity Pressure Regulator

**Series 20495**

## Technical Drawings



## Product Configurator

Example:

### Adjustment Method

Blank	Manual
F	Pneumatic failsafe motor
G	Hydraulic failsafe motor

### Series

20495S6WQ2	1" Pressure regulator (3/4" full flow regulator)
------------	-----------------------------------------------------

### Option

Blank	NPT porting
-MS	SAE porting
-SS	Stainless steel flanges & trim
-L <sup>1</sup>	Reversed porting

### Regulated Pressure Range (Manual)

Blank	High sensitivity	500 - 1800 psi (34 - 124 bar)
-1	Full range	500 - 3300 psi (34 - 228 bar)

### Regulated Pressure Range (Failsafe) F & G Models

Blank	High sensitivity	500 - 1800 psi (34 - 124 bar)
-1	Full range	500 - 3000 psi (34 - 207 bar)



#### Note:

- Supply/Vent ports installed on right side of regulated port.  
Blank flange installed on left side of regulated port.